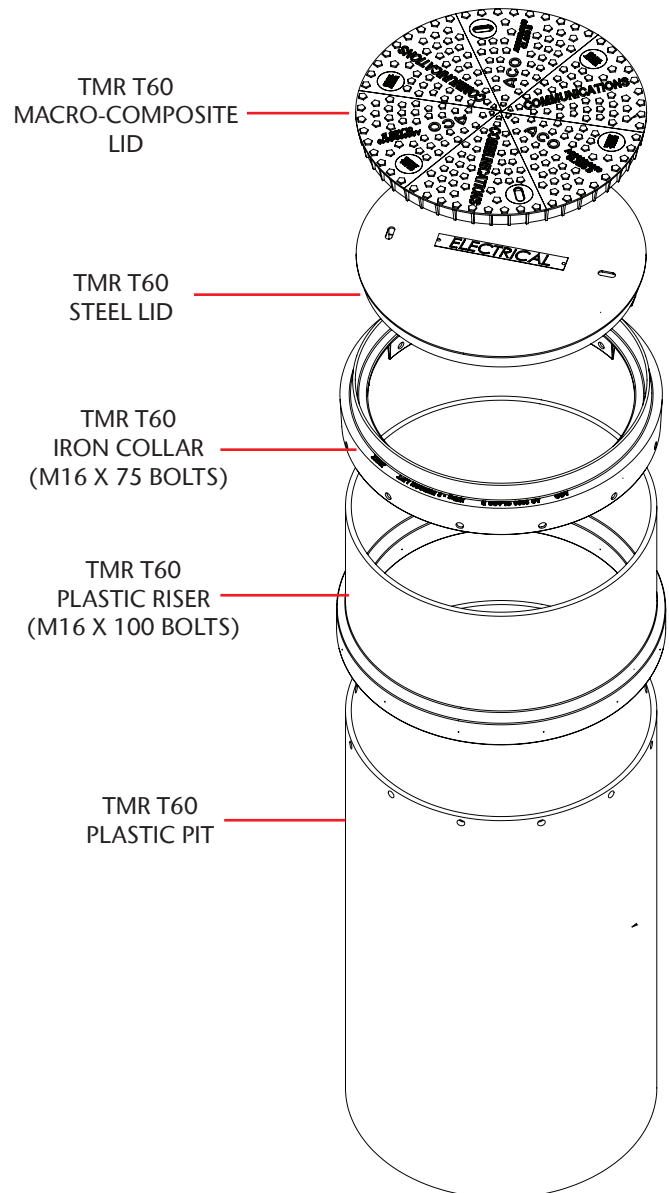


# TMR Type 60 Pit

QLD Government - Department of Transport and Main Roads (TMR)

## Product Description

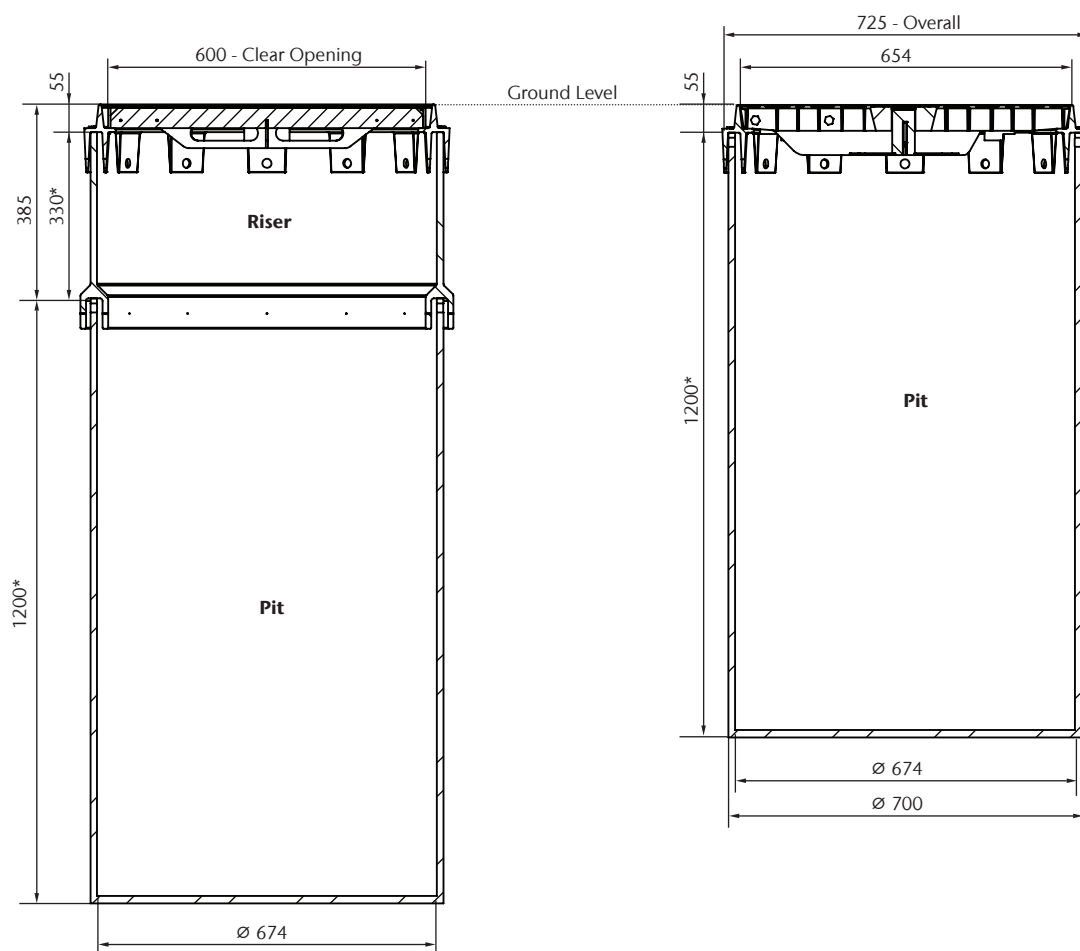
- Circular pit, riser and lid options
- Complies with MRTS91 Conduits and Pits
- Pit and riser manufactured from polyethylene
- Steel lids are manufactured to MRTS78 Fabrication of Structural Steelwork
- Macro-composite lid manufactured from Nylon with steel substructure
- Collar manufactured from iron
- Batch Certificate of Compliance from TMR



Type 60 Pit, Riser, Collar and Steel Lid



Type 60 Pit, Collar and Macro-Composite Lid



**Type 60 Pit, Riser, Collar  
and Steel Lid**

**Type 60 Pit, Collar and  
Macro-Composite Lid**

\*The top of the plastic pits or risers can be trimmed to adjust the height of the assembly to match the pavement levels and falls.

### Part Table

Part No.	Description
142809	T60 TMR - Steel Lid and Pit assembly - Communications
142810	T60 TMR - Steel Lid and Pit assembly - Electrical
143303	T60 TMR - Macro-Composite Lid and Pit assembly - Communications
143304	T60 TMR - Macro-Composite Lid and Pit assembly - Electrical
142815	T60 TMR Riser assembly
142830	T60 TMR Infill Lid for Concrete Infill
142808	T60 TMR Precast Concrete Surround to TMR drawing no. SD1685